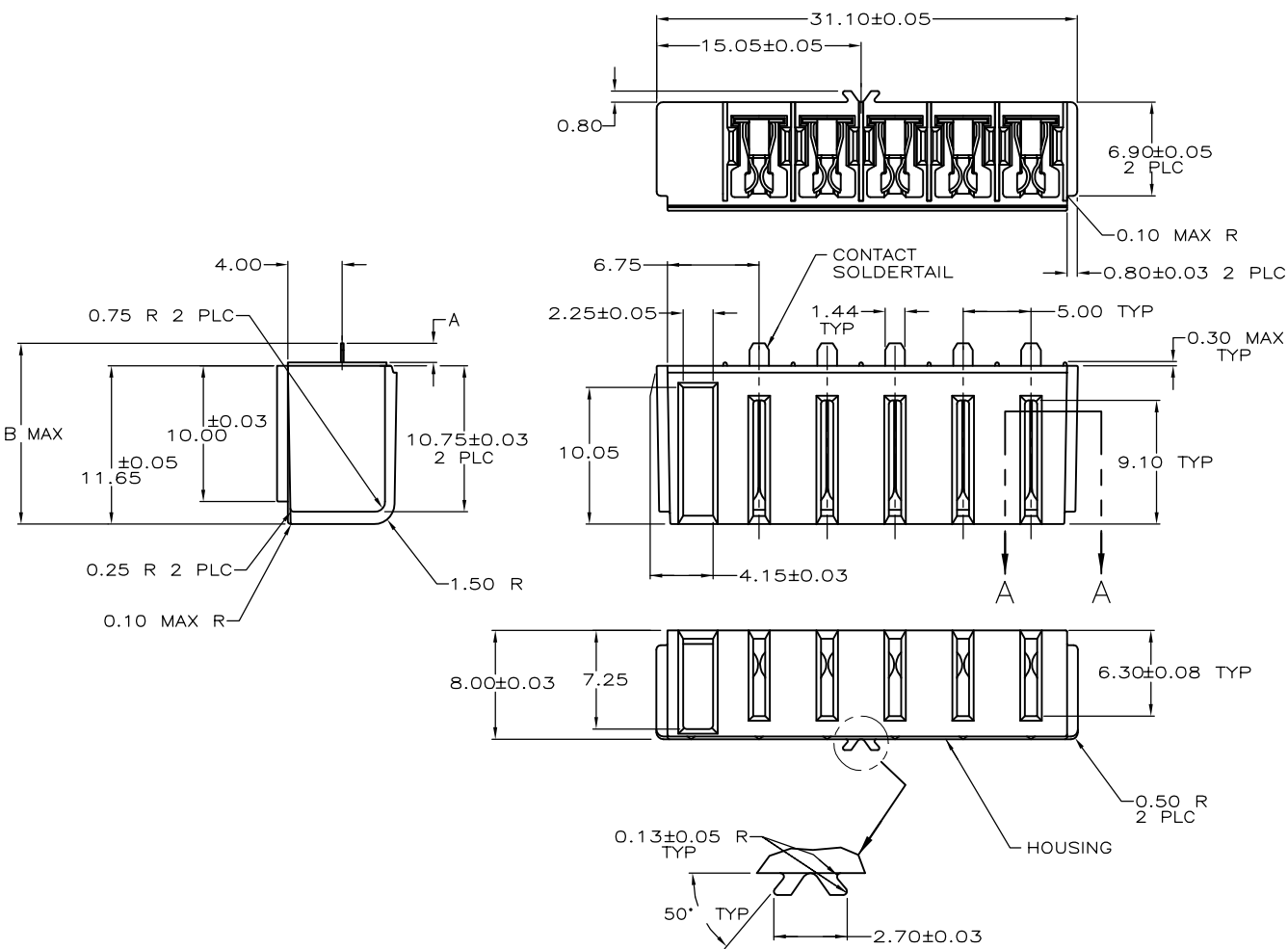
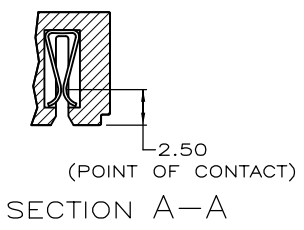
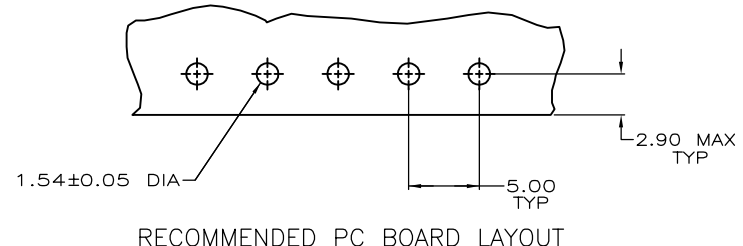
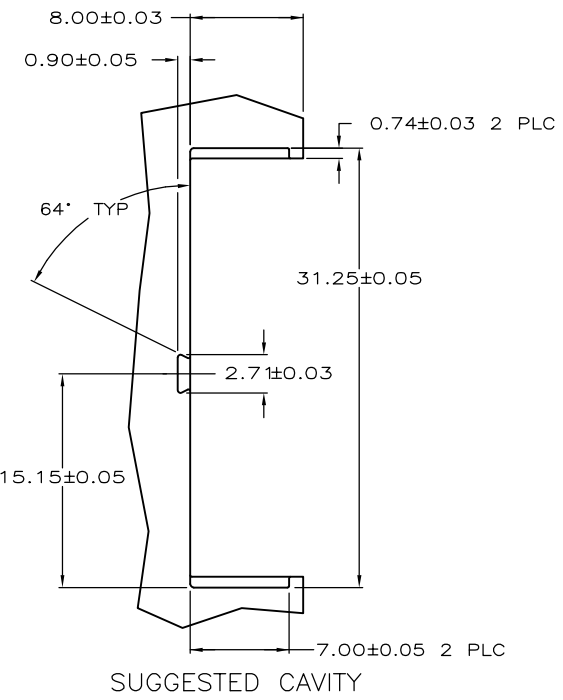


LOC	DIST	REVISIONS			
P	LTR	DESCRIPTION	DATE	OWN	APVD
0	RELEASED	ECR-05-001438	11APR05	J.Z	I.E



△ HOUSING: POLYPHTHALAMIDE, BLACK.
 CONTACT: PHOSPHOR BRONZE.
 △ CONTACT: $1.30 \mu\text{m}$ MIN TIN ON SOLDERTAIL OVER
 $1.90 \mu\text{m}$ MIN NICKEL ON ENTIRE CONTACT.



12.95	0.85	5787590-2
13.5	1.40	5787590-1
B	A	PART NUMBER

THIS DRAWING IS A CONTROLLED DOCUMENT.		DRN C. OBERMAN 19 SEP 95	Tyco Electronics Corporation Shanghai PRC	
DIMENSIONS: mm		CHK R. STONE 20 SEP 95	APVD B. KLINE 20 SEP 95	
TOLERANCES UNLESS OTHERWISE SPECIFIED:		NAME B. KLINE		
0 PLC	± -	PRODUCT SPEC		
1 PLC	± -	108-1501		
2 PLC	± 0.10	APPLICATION SPEC		
3 PLC	± -	114-24005		
4 PLC	± -	SIZE CAGE CODE DRAWING NO RESTRICTED TO		
ANGLES	± 9°	A2 00779 C-5787590		
MATERIAL		WEIGHT		SCALE 4:1 SHEET 1 OF 1 REV 0
FINISH		CUSTOMER DRAWING		

5787590